

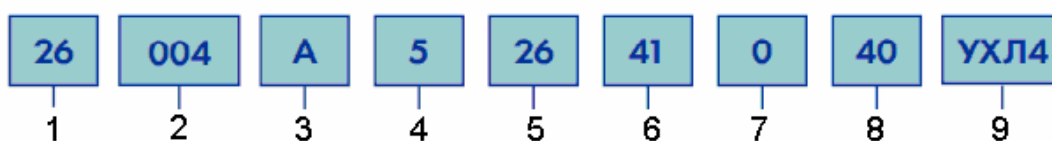
This is an electromagnetic, slave relay, designed for control circuits of AC drive with rated voltage to 380 V and frequency of 50(60) Hz, manufactured in accordance with state standard 15150 and ИГФР.647115.069ТУ.

Environmental ratings: cold temperate, cold and tropical climate.



Ordering Data: **Slave relay REP26-004A526042-40УХЛ4 ТУ16-93 ИГФР.647115.069ТУ**

Структура обозначения типоразмера



Model Identification Marks

- 1 – Family
- 2 – Type and number of contacts
- 3 – Class of switching wear resistance :
 - A - Class A
 - D – Class D (only for types 300 and 400);
- 4 – Identification marks of current type in the connecting coil circuit and kind of return to initial position:
 - 1 – AC with voltage coil, monostable
 - 5 – DC with voltage coil, monostable
 - 6 – DC-coil, monostable
- 5 – Bonding technique model identification and termination technique
- 6 – Identification of coil voltage or coil current
- 7 – Identification of supplemental elements:
 - 0 – without supplemental elements;
 - 2 – with manual manipulator;
 - 5 – with electrical indicator and manual manipulator, for $U = 24V; = 110V; \sim 220V;$
 - 6 – with protective diode and manual manipulator, for $U < 24V;$
- 8 – Ingress protection rating – IP according to State standard 14254
 - 00 – for Class D
 - 40 – for Class A
- 9 – Models designed for certain ambient conditions according State standard 15150;
 - УХЛ – temperate and cold climate;
 - О – for tropical climate;
 - 4 – Placement category according to State standard 15150.

Number of Contacts

Type	Total number	Make contact	Break contact	Change- over contact
001	1			1
010	1		1	
100	1	1		
002	2			2
020	2		2	
110	2	1	1	
200	2	2		
003	3			3
120	3	1	2	
210	3	2	1	
300	3	3		
004	4			4
220	4	2	2	
310	4	3	1	
400	4	4		

Models according to Bonding Technique

Identification	Socket availability	Termination technique
16	not available	lamellas for soldering
18	not available	lamellas for "fasten"
76	not available	lamellas for printing
21	available	screw jacks
26	available	lamellas for soldering
78	available	lamellas for printing

Identification of Coil Voltage

DC		AC Frequency 50 Hz		AC Frequency 60 Hz	
identification	Value	Identification	Value	Identification	Value
01	6 V	21	12 V	38	12 V
02	12 V	22	24 V	39	24 V
03	15 V	24	40 V	41	40 V
04	24 V	26	110 V	43	110 V
06	48 V	27	220 V	44	220 V
09	60 V	28	380 V	45	380 V
11	110 V	34	230 V	49	230 V
13	220 V	35	240 V	50	240 V

Identification of Coil Current

Identification	Value	Identification	Value	Identification	Value
05	0,25 A	10	0,80 A	15	2,50 A
06	0,32 A	11	1,00 A	16	3,20 A
07	0,40 A	12	1,25 A	17	4,00 A
08	0,50 A	13	1,60 A	18	5,00 A
09	0,60 A	14	2,00 A	19	6,00 A

Technical Parameters

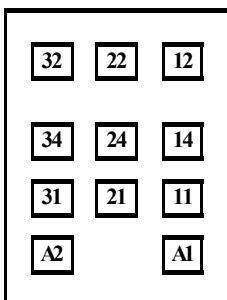
Parameter name	Unit of measure	Design rule	Measurement conditions
Switching voltage range	V	~ 5 - 380 = 5 - 220	
Rated contact current	A	10 9 8 6	from minus 40°C to plus 40°C from minus 40°C to plus 45°C from minus 45°C to plus 50°C from minus 50°C to plus 55°C
Minimal operating contact current	A	0,05 0,01	when U=5V when U=24V
Tolerant through contact current	A	160	within 1 sec.
Tolerant variation limit of drive circuit voltage	%	+5 -15	
Watt consumption for DC with 1-3 contacts for DC with 4 contacts for AC	W W VA	1,5 2,0 3,0	t=(20±5)°C
Operate time, not more	second	0,03	t=(20±5)°C
Release time, not more	second	0,03	t=(20±5)°C
Mechanical wear resistance	Cycle million	30,0	
Tolerance breaking current-power limit with AC	VA VA W	1600 3000 150	inductive load active load inductive load
with DC	W	250	active load

Model Schematic Circuit

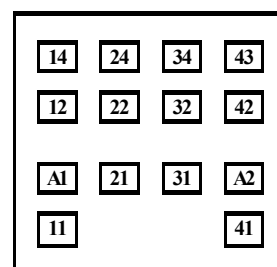
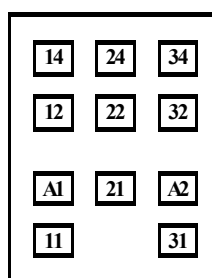
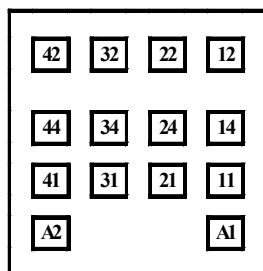
<p>001</p>	<p>010</p>	<p>100</p>	
<p>002</p>	<p>020</p>	<p>200</p>	<p>110</p>
<p>003</p>	<p>120</p>	<p>300</p>	<p>210</p>
<p>004</p>	<p>220</p>	<p>310</p>	<p>400</p>

Terminal Position

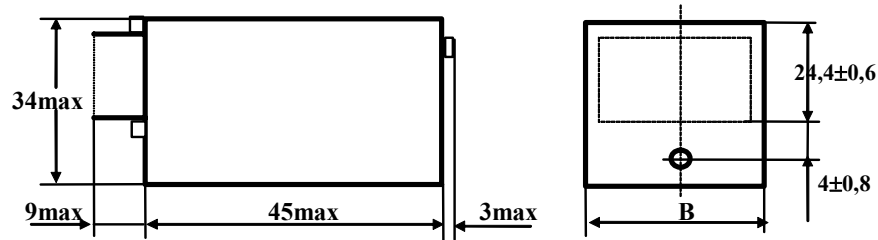
On relay and on the socket for soldering



On the socket with screw jacks

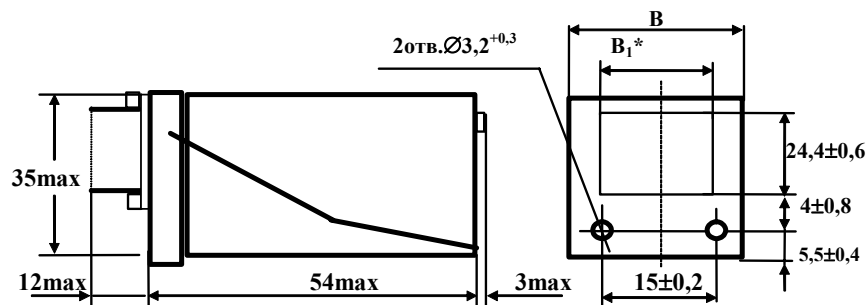


Lamellas Relay for Soldering or for N-pin Connector Jack of "Fasten" Type



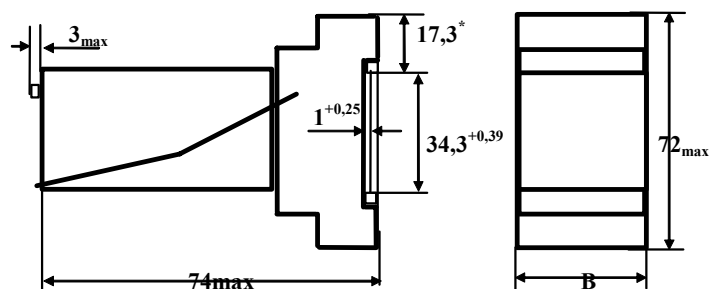
Model according contact number	V, mm, not more than	Weight, kg, not more than
1; 2; 3	29	0,07
4	34	0,08

Lamellas Socket Relay for Soldering



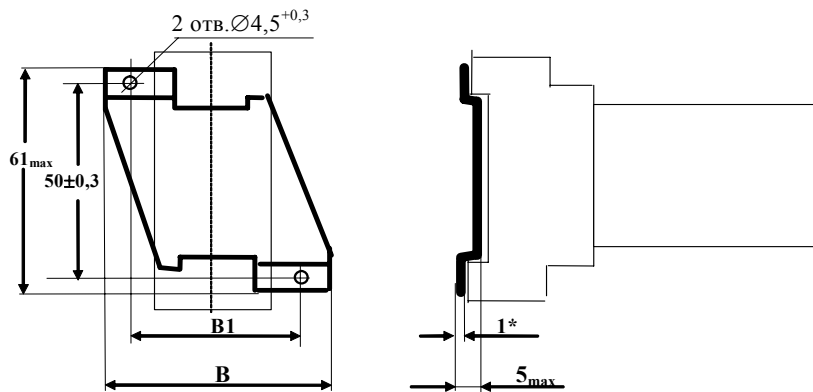
Model according contact number	V, mm, not more than	V1*	Weight, kg, not more than
1; 2; 3	31	24	0,09
4	36	30	0,1

Socket Relay with a Screw Jack



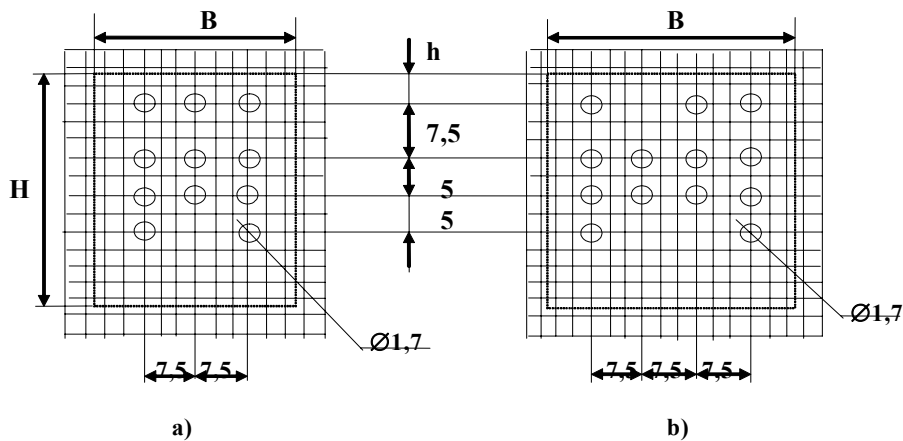
Model according contact number	V, mm, not more than	Weight, kg, not more than
1; 2; 3	31	0,135
4	37	0,145

Mounting Wafer (For mounting relay with screw jacks)



Identification	V, mm	V1, mm	Weight, kg, not more than
РЭП 26-003...	43max	35±0,3	0,012
РЭП 26-004...	48max	40±0,3	0,014

Spotting of Relay Lamellas for Print Mounting



Model		Picture	V, mm	N, mm	N, mm
Socket availability	Contact number				
without socket	1, 2, 3	a	29	34	3
	4	b	34	34	3
with socket	1, 2, 3	a	31	36	4
	4	b	36	36	4