

This device with a glow-discharge indicator is manufactured for light signaling and indication in control wiring diagrams of AC installations; it can be used instead of armature series ASL, AME.

Ordering data: **Light Signal Armature AVR-51011 УХЛ2, sign plate "ON", reserve indicator, export ИДЯУ.676649.001 ТУ**



## Mode of Operation

The Armature is manufactured in two dimensions types: the diameters of the mount package parts are 16mm (M16) and 22mm (M22). The panel thickness for armature screw mount is 1...2,5mm.

For AC we use the glow-discharge indicator TLO-1-2 (orange), TLG-1-2 (green), TLB-1-2 (blue) or TLY-1-2 (yellow) ОДО.337.135ТУ with maximum rated current strength = 1mA.

Armature connection to the wiring is performed by use of two contacts. The armature terminals accept connecting of cooper or aluminium conductors with cross section to 2,5mm<sup>2</sup> using jackscrews in "plug-in technique" or through hole contact soldering.

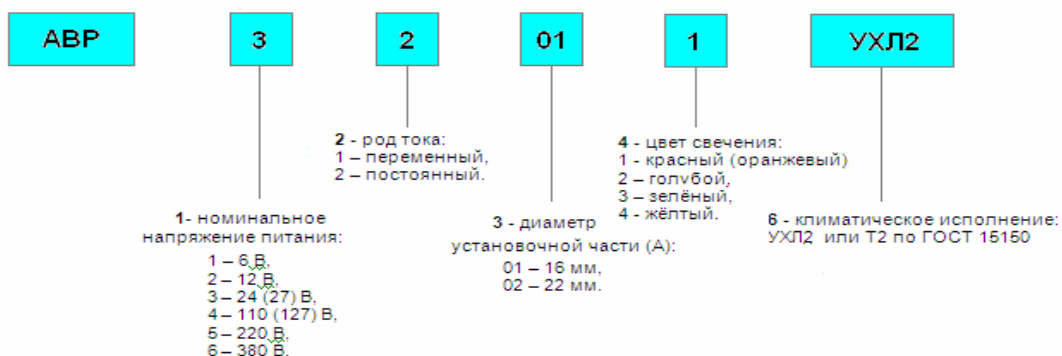
## Technical Specifications

Insulation Resistance	acc. to GOST 10264 paragraph 3
Dielectric strength	acc. to GOST 10264 paragraph 3
Expected Life	10 years
Storage Ability	8 years
Weight, g not more than	
for Ø 16 mm	15,5
for Ø 22 mm	19,0

## Operating Conditions

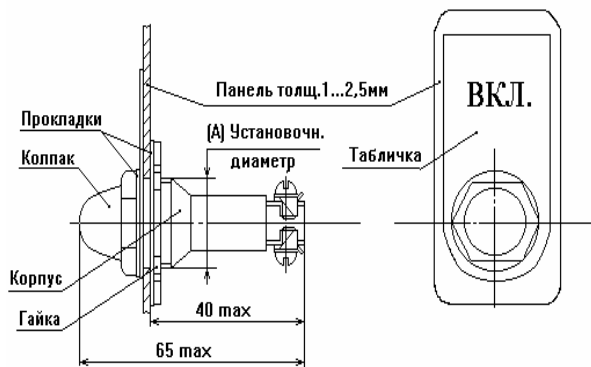
Operating Temperature Range	from minus 60°C to plus 55°C
Altitude above Sea Level, m	2000
Protection Degree of the Front Panel	IP57 acc. to State standard 14254
Mechanical Stress	group M9 acc. to State standard 17516.1
Armature Operating Position in Space	every possible position

### Структура условного обозначения

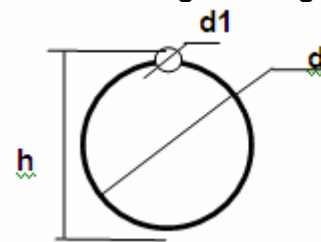




### External Dimensions



### Mounting Marking



	d	d1	h
Ø16	Ø16,2 <sup>+0,18</sup>	Ø3 <sup>+0,1</sup>	17,5 <sup>+0,18</sup>
Ø22	Ø22,5 <sup>+0,21</sup>	Ø3 <sup>+0,1</sup>	24 <sup>+0,21</sup>

ВКЛ. – ON

Табличка – sign plate

Панель толщ. 1...2,5мм – panel thickness of 1...2,5mm

(A) Установочный диаметр – mounting diameter

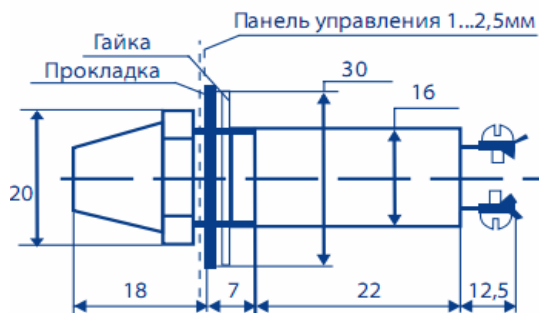
Прокладки – pads

Колпак – cover

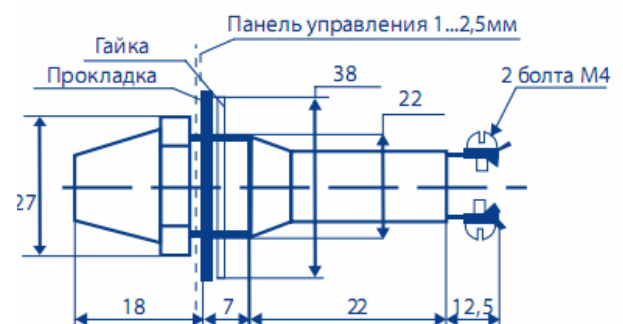
Корпус – package

Гайка – internal screw

### For mounting Dimension of 16mm



### For mounting Dimension of 22mm



Гайка – internal screw

Прокладка – pad

Панель управления 1...2,5мм – control panel board of 1...2,5mm

2болта М4 – 2 screw-bolts M4