

This device is manufactured with application of LED for light signaling and indicating in control wiring diagrams of DC installations; it can be used instead of armature series ASL, AME.

Ordering data: **Light Signal Armature AVR-32011 УХЛ2, sign plate "Start" ИДЯУ.676649.001 ТУ**



## Mode of Operation

The armature is manufactured in two dimension types: the diameter of the mount package part is 16mm (M16) and 22mm (M22). The panel thickness for armature mounting screw is 1...2,5mm.

A DC light source is LED KIPD35 of red, green or yellow color АДБК.432220.311 ТУ with maximum rated current strength of 20mA.

The connection of the armature to the diagram is performed with two contacts. The armature terminals accept connecting of cooper and aluminium conductors with cross section to 2,5 mm<sup>2</sup> using jackscrews in "plug-in technique" or through hole contact soldering.

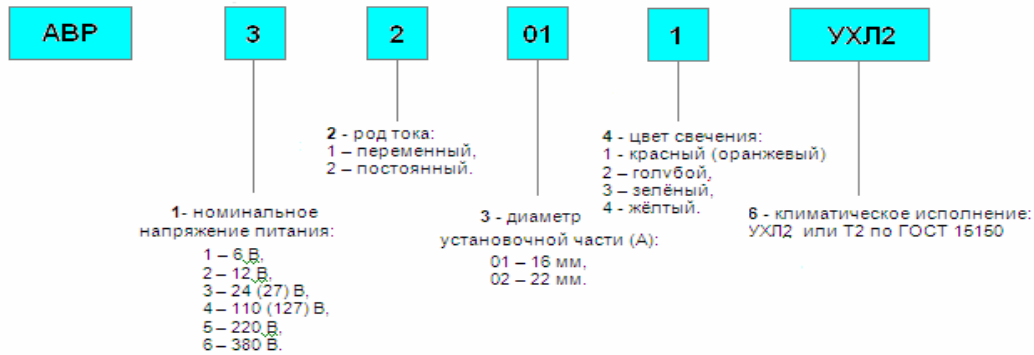
## Technical Specifications

Resistance R	according to GOST 10264 paragraph 3
Dielectric Strength	according to GOST 10264 paragraph 3
Expected Life	10 years
Storage Ability	8 years
Weight , g not more than for Ø 16 мм for Ø 22 мм	15,5 19,0

## Operating Conditions

Operating Temperature Range	from minus 60°C to plus 55°C
Altitude Above Sea Level, m	2000
Protection Degree of Front Panel	IP57 acc. to GOST 14254
Mechanical Stress	group M9 acc. to GOST 17516.1
Armature Operating Position in Space	every possible position

### Структура условного обозначения



### Model Identification Scheme

**AVR**      **3** – rated voltage:      **2** – current type:      **01**  
 1-6V                              1 –AC                              3- mount part diameter(A)  
 2-12V                              2 –DC                              01 -16mm  
 3-24(27)V                                                           02 -22mm  
 4-110(127)V  
 5-220V  
 6-380V

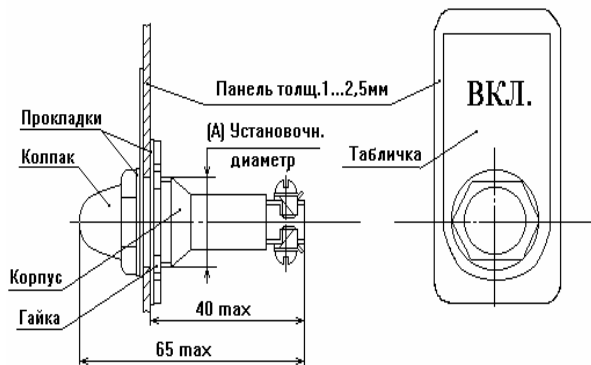
**1**                              **УХЛ2**  
 4 – emission color              6- ambient class  
 1-red (orange)                      УХЛ2 - temperate, cold 2 or tropical 2 cli-  
 mate                              acc. to GOST 15150  
 2-blue  
 3-green  
 4-yellow

### Technical Parameters

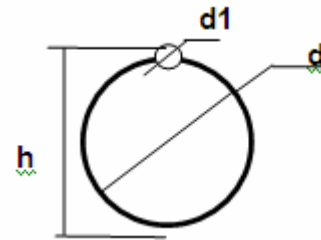
Model		Indicator	Rated Voltage, V		Operating Current Strength, mA, not more than
Mounting Diameter			Current Type		
16 мм	22 мм	KIPD 35	~50(60)Hz	const.	
12013	12023	Green	-	6	30
12011	12021	Red			
12014	12024	Yellow			
22013	22023	Green	-	12	30
22011	22021	Red			
22014	22024	Yellow			
32013	32023	Green	-	24(27)	20
32011	32021	Red			
32014	32024	Yellow			
31013	31023	Green	24(27)	-	20
31011	31021	Red			
31014	31024	Yellow			

\*) Models with blue emission color have a low light efficiency.

### External Dimensions



### Mounting Marking



	d	d1	h
Ø16	Ø16,2 <sup>+0,18</sup>	Ø3 <sup>+0,1</sup>	17,5 <sup>+0,18</sup>
Ø22	Ø22,5 <sup>+0,21</sup>	Ø3 <sup>+0,1</sup>	24 <sup>+0,21</sup>

ВКЛ. – ON

Табличка – sign plate

Панель толщ. 1...2,5мм – panel thickness of 1...2,5mm

(А) Установочный диаметр – mounting diameter

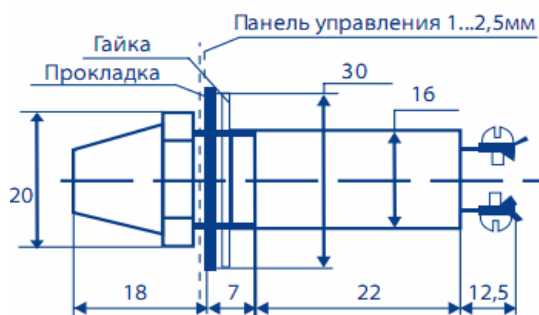
Прокладки – pads

Колпак – cover

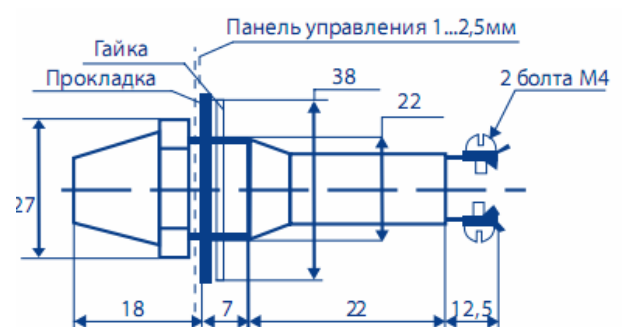
Корпус – package

Гайка – internal screw

### For Mounting Dimension 16mm



### For Mounting Dimension 22mm



Гайка – internal screw

Прокладка – pad

Панель управления 1...2,5мм – control panel board 1...2,5mm

2болта М4 – 2 screw-bolts M4